

Resistance thermometer

type 9440
for ventilation

E 12.01.01

Ed.22.01

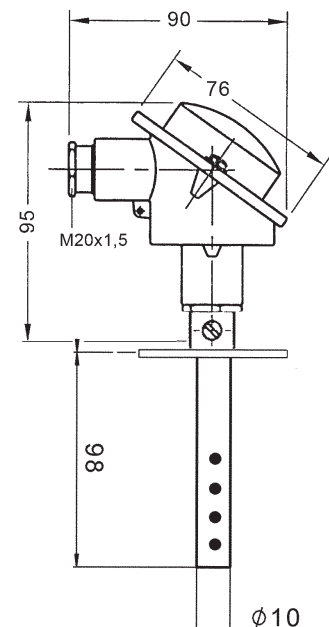
Design	Resistance thermometer with Pt 100 element Special version with perforated insertion tube for ventilation
Type	9440
Sensor	1 x Pt 100 according to DIN EN 60751, class B
System	3- wire system
Range	Max +150°C
Probe	Exchangeable probe 145 mm in stainless steel 316L Probe diameter Ø6 mm, connection flange Ø42 mm
Connection head	Form B, type BS aluminium blue-painted Protection class IP 65, cable connection M20x1,5
Ambient temperature	Ambient temperature on connection head max 120°C With mounted temperature transmitter max 85°C
Working pressure	Max 10 bar
Thermowell form B	Perforated insertion tube of brass Ø 10 mm Total length 110 mm Max insertion length 98 mm With mounting flange Ø 40 mm
Transmitter	Option with analogue temperature transmitter T15 Mounted in connection head Power supply 12-36 VDC, output signal 4-20 mA 2-wire Delivered with preset measuring range See datasheet TE 15.01



9409600
Type 9440
for ventilation
with Pt-100 signal
Perforated insertion tube
of brass L-110x10 mm



9409601
Type 9440
for ventilation
with transmitter T15
with output signal 4-20 mA
Perforated insertion tube
of brass L-110x10 mm



1 x Pt100 3-wire

